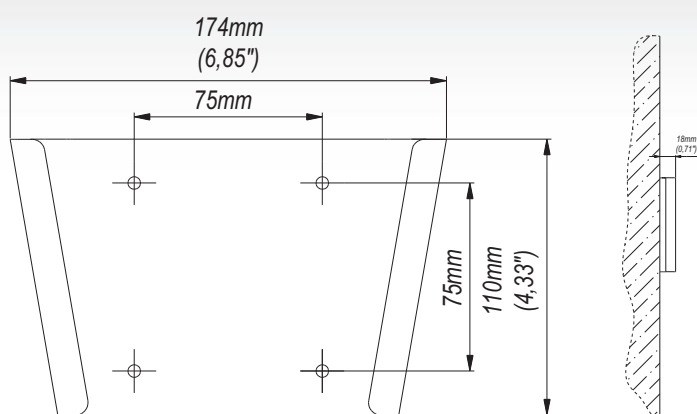




Features

- 1 **EASY AND QUICK INSTALLATION**
easy installation of the product
- 2 **MINIMUM WALL DISTANCE**
only 18 mm
- 3 **SOLID BUILD**
powder-coated metal parts



Technical Data



75x75 mm



14"-26"



18 mm



min. 75x75 mm



10 Kg

Trade Information

Index	Colour	Package	EAN
GD21c-B	■	■	5908252961153
GD21s-B	■	■	5908252961160

Package Dimensions [mm] (H x W x D)	160x225x20
Weight [Kg]	1

Accessories

Series GDA

